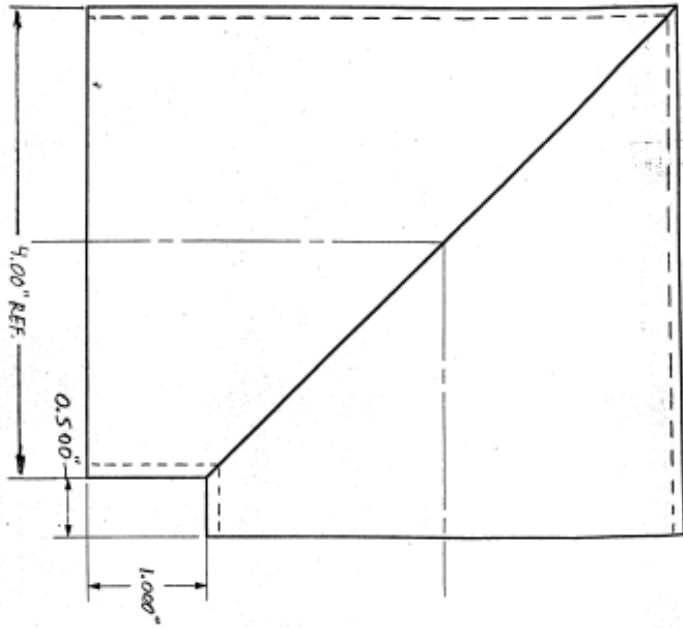
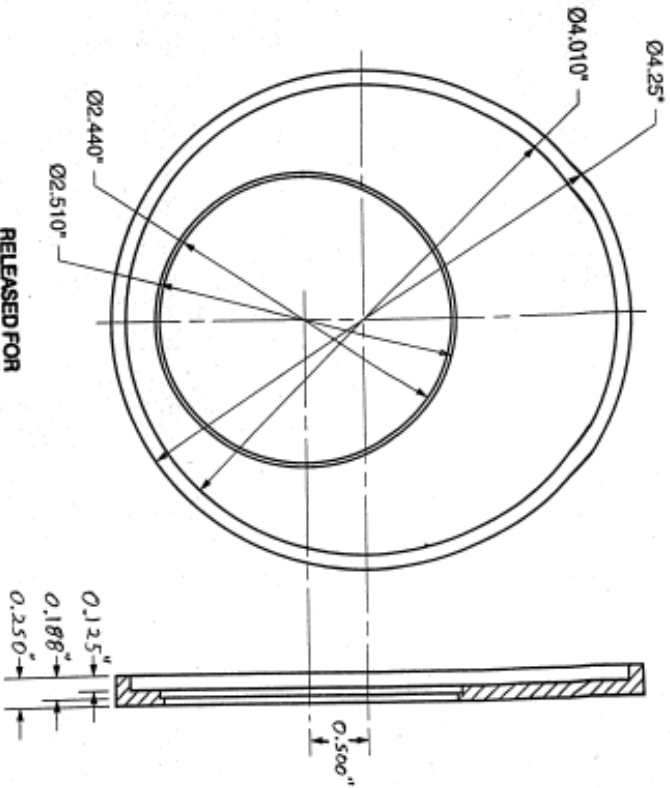


① SPECIAL MITERED TUBE

(MDC part #403506) MODIFIED



② WINDOW MOUNT



RELEASED FOR
FABRICATION/INSTALLATION
PPPL CENTRAL FILES: 3/12/01
RELEASE DATE: 3/12/01
EXPIRATION DATE: D/A

REV	DATE	BY	CH	APPV	REV	DATE	BY	CH	APPV	REV	DATE	BY	CH	APPV
1					1									
WINDOW MOUNT														
SPECIAL MITERED TUBE														
DRAWING OR DESCRIPTION														
THIS DWG.														
304 ST. STEEL														
MATERIAL														

PRINCETON PLASMA PHYSICS LABORATORY
PRINCETON UNIVERSITY
NATIONAL SPHERICAL TORUS EXPERIMENT

DATE: 3-17-00
APPV: [Signature]
CDD FILE: W4

ENG: R. ELLIS
OWN: R. ELLIS
CHK: J. STEGEL

SCALE: FULL
NET ASSY: B-9D1217

GENERAL FILE: B-9D1217

RELEASED FOR FABRICATION/INSTALLATION
PPPL CENTRAL FILES: 3/12/01
RELEASE DATE: 3/12/01
EXPIRATION DATE: D/A

TOLERANCE: ±0.005 UNLESS OTHERWISE SPECIFIED
DIMENSIONS ARE IN INCHES
MACHINE SURFACES BY

1 4.000" ±0.005" 1/16"
2 4.000" ±0.005" 1/16"
3 4.000" ±0.005" 1/16"
4 4.000" ±0.005" 1/16"

DATE: 3-17-00
APPV: [Signature]
CDD FILE: W4

ENG: R. ELLIS
OWN: R. ELLIS
CHK: J. STEGEL

SHEET 1 OF 1
REV 0